



NORTHERN MORAIN W R D

Construction FAQ for Licensed and Bonded Sewer Contractors – Holiday Hills / Le Villa Vaupell Sanitary Sewer Connections

(Rev. Feb. 2024)

Material Specifications:

- All sanitary sewer services (laterals) shall be PVC SDR 26 material or better, with gasketed fittings.
- Sanitary sewer services shall have a minimum diameter of 6”.
- Couplings (if applicable) shall be non-shear flexible rubber with adjustable stainless-steel bands.
 - Acceptable products: non-shear couplings by DFW Plastics/Hefco Plastics, Inc.
- A cleanout shall be installed at the exterior of each building, at grade, and be placed between five (5) and ten (10) feet from the exterior wall of the structure.
 - Cleanouts shall be placed every 50’ on sanitary sewer services or as required by the District, or its authorized agent(s).
- **A 6” Spears Sewer Disconnect Cleanout Tee (no alternates allowed) with 6” PVC riser and cap shall be installed at the property line for all Holiday Hills / Le Villa Vaupell properties.**
 - **This specialty tee can be purchased from Mid-American Sewer & Water Inc. in Wauconda, IL. (Detail sheet attached as Exhibit B).**
- Trench bedding shall be CA-7 gradation.
- Trench backfill shall be CA-7 gradation.

Construction Standards:

- All sewer installations must meet Illinois Plumbing Codes and/or NMWRD Ordinances and Design Standards for Building Sewers and Sewer System Improvements.
- Sanitary sewer services shall be installed at a minimum slope of 1% (1/8” per foot) for 6” diameter services.
- Sanitary sewer services shall be installed at the following minimum depths:
 - Provide minimum cover of five (5) feet above top of pipe where the pipe crosses beneath paved areas such as streets and driveways.
 - Provide minimum cover of three and a half (3.5) feet above top of pipe in unpaved areas.
- Bedding with CA-7 gradation stone shall be carefully placed and compacted around the pipe to provide uniform support to the bottom quadrant. Bedding shall be laid at a minimum thickness of four (4) inches under the pipe barrel and two (2) inches under bells.
- Backfill with CA-7 gradation stone shall be carefully placed and compacted around the pipe to a height of one (1) foot above the top of pipe.
- The District does not allow 90-degree bends. Avoid using 45-degree bends, and instead use two (2) 22-degree bends.
- The building sanitary sewer service shall be connected to the **District’s** sewer main at an existing wye, tee, stub, or riser location. Such connection, location, depth or other information given by the **District** shall serve only as a guide. **The District makes no guarantee of accuracy and the stub shall be located by the sewer contractor.**



NORTHERN MORAINE WRD

- No downspouts, open drains, footing tiles, septic tanks, or cesspools are to be connected to the building sewer, nor is any other source of storm water permitted into the sanitary sewers. Storm water drains should be connected to a storm sewer if available, or otherwise designed to drain onto the surface of the property or a drainage ditch.

All Northern Moraine WRD Ordinances can be found at www.nmwrld.org/forms-and-documents.

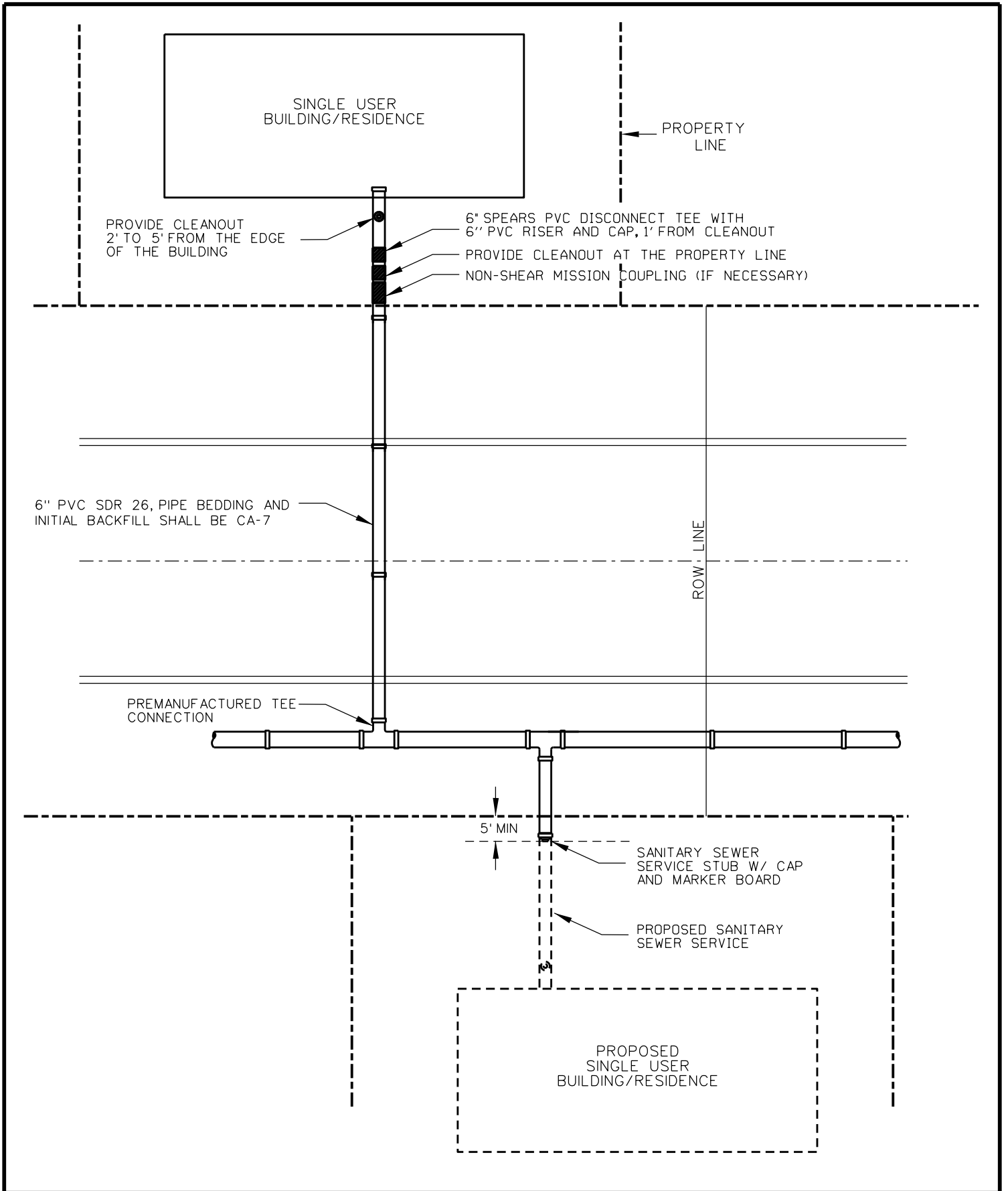
Miscellaneous Information:

- Sanitary sewer contractors should expect to encounter shallow groundwater for nearly all Holiday Hills / Le Villa Vaupell sanitary sewer service connections. Proper dewatering equipment is required.
- Note that Northern Moraine WRD does not own nor operate the drinking water system within Holiday Hills / Le Villa Vaupell. The organization responsible for the drinking water system is Prairie Path Water.
 - The District encourages all sanitary sewer contractors who will be performing work within Holiday Hills / Le Villa Vaupell to contact Kyle Woodworth (kyle.woodworth@prairiepathwater.com) prior to commencing work. Due to the soil condition and overall age of the adjacent drinking water infrastructure, Mr. Woodworth recommended that all sanitary sewer contractors should reach out to be informed of helpful tips to avoid causing water disruptions.

Attachments

Exhibit A – Sanitary Sewer Service Layout Detail

Exhibit B – Spears Sewer Disconnect Tee



Northern Moraine Wastewater
Reclamation District

420 Timber Trail Island Lake, Illinois 60042
847.526.3300 Fax: 847.526.3349



Sanitary Sewer Service
Layout Detail

6" PVC (SDR26 3034 RISER W/ CAP

FINISH GRADE

PVC 45° BEND (SDR26 3034)

PVC WYE (SDR26 3034)

SANITARY SERVICE

Northern Moraine Wastewater
Reclamation District

420 Timber Trail Island Lake, Illinois 60042
847.526.3300 Fax: 847.526.3349



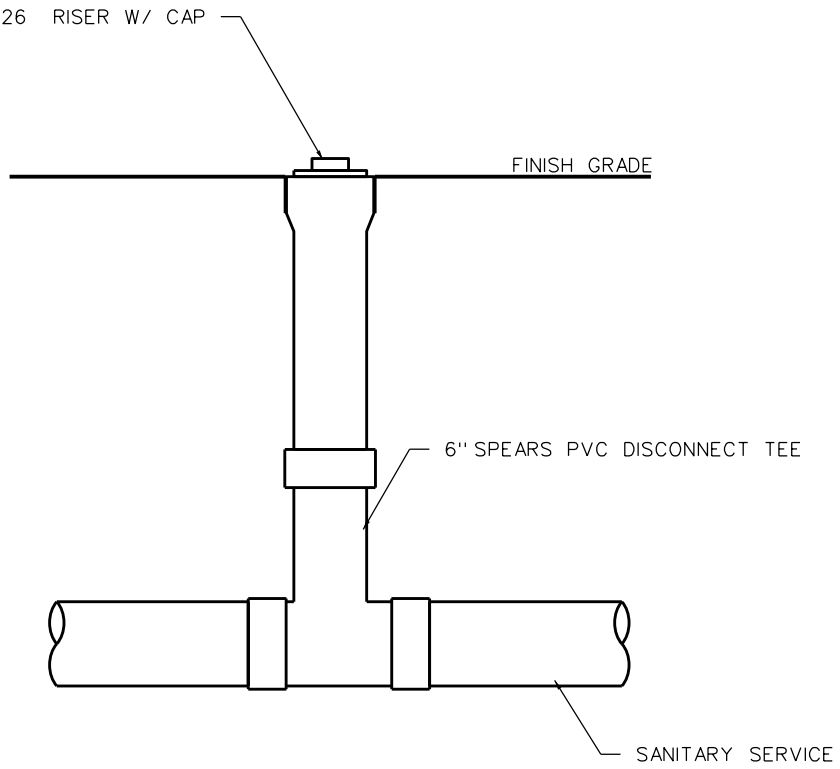
Sanitary Cleanout

6" PVC SDR26 RISER W/ CAP

FINISH GRADE

6" SPEARS PVC DISCONNECT TEE

SANITARY SERVICE



Northern Moraine Wastewater
Reclamation District

420 Timber Trail Island Lake, Illinois 60042
847.526.3300 Fax: 847.526.3349



In-Line Disconnect
Tee And Riser



Valves Product Sewer Disconnect

Spears® Sewer Disconnect functions as both cleanout and disconnect device, plus helps prevent sewage backup during hurricanes and floods. Complete unit consists of body and plunger (sold separately - both parts are required for proper use). The plunger can be screwed into the body to block solids waste flow. The plunger should be removed from the body and stored when not in use to prevent accidental closing (i.e., from ground vibration, etc.).

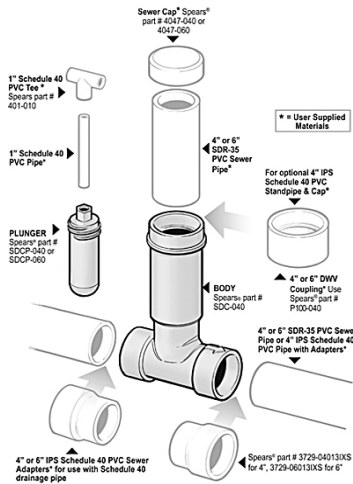


- Connects directly to 4" or 6" SDR-35 (or any ASTM D3034/D2729) PVC Sewer Pipe.
- Easily adapted to 4" or 6" Schedule 40 PVC Drainage Pipe with addition of IPS x Sewer Adapters, Socket x Spigot, Spears® part no. 3729-04013IXS for 4" or 3729-06013IXS for 6".
- User-supplied standpipe can be installed to grade using PVC Sewer Pipe connected to the body branch socket and a Sewer Cap to close off (Spears® part no. 4047-040 for 4" or 4047-060 for 6"). Optionally, user-supplied Schedule 40 Pipe can be used for standpipe with addition of a Schedule 40 DWV Socket Coupling (Spears® part no. P100-040 for 4" or P100-060 for 6") and Cap (Spears® part no. P116-040 for 4" or P116-060 for 6").
- T-handle for Plunger operation can be easily fabricated from user-supplied 1" Schedule 40 Pipe and Tee fitting (Spears® part no. 401-010).

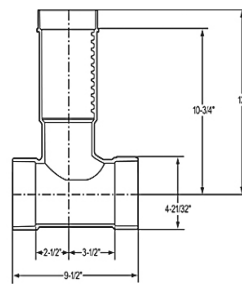


Note - the unit restricts flow by approximately 85%. As a result, the unit must be located in the sewer line where solids are present. Full disconnect is not achieved without solids in the flow.

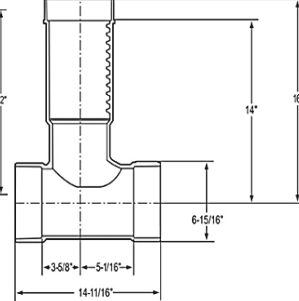
Auxiliary Components (Purchased Separately)



4" Basic Dimensions



6" Basic Dimensions



Sewer Disconnect

Sewer Disconnect Body

Part Number	Size	Std Pk	Mstr Ctn	Prod Code
SDC-040	4	6	0	055
SDC-060	6	2	0	055

Sewer Socket X Sewer Socket.

Requires Purchase of SDCP-040 or SDCP-060 Plunger

SDC-040	4	6	0	055
SDC-060	6	2	0	055

Sewer Disconnect Plunger

Part Number	Size	Std Pk	Mstr Ctn	Prod Code
SDCP-040	4	12	0	055

For Use With Sewer Disconnect Body Purchased Separately.

Requires Purchase of SDC-040 or SDC-060 Body

SDCP-040	4	12	0	055
----------	---	----	---	-----

Sewer Disconnect Plunger (continued)

Part Number	Size	Std Pk	Mstr Ctn	Prod Code
SDCP-060	6	6	0	055

For Use With Sewer Disconnect Body Purchased Separately.

SDCP-060	6	6	0	055
----------	---	---	---	-----

Optional IPS x SEWER Adapter

IPS Socket x Sewer Spigot for adapting Sewer Disconnect Body to Schedule 40 drainage pipe



3729-04013IXS	4	1	90	399
3729-06013IXS	6	1	15	399