

Northern Moraine Wastewater  
Reclamation District

420 Timber Trail Island Lake, Illinois 60042  
847.526.3300 Fax: 847.526.3349



Sanitary Sewer Service  
Layout Detail

6" PVC (SDR26 3034 RISER W/ CAP

FINISH GRADE

PVC 45° BEND (SDR26 3034)

PVC WYE (SDR26 3034)

SANITARY SERVICE

Northern Moraine Wastewater  
Reclamation District

420 Timber Trail Island Lake, Illinois 60042  
847.526.3300 Fax: 847.526.3349



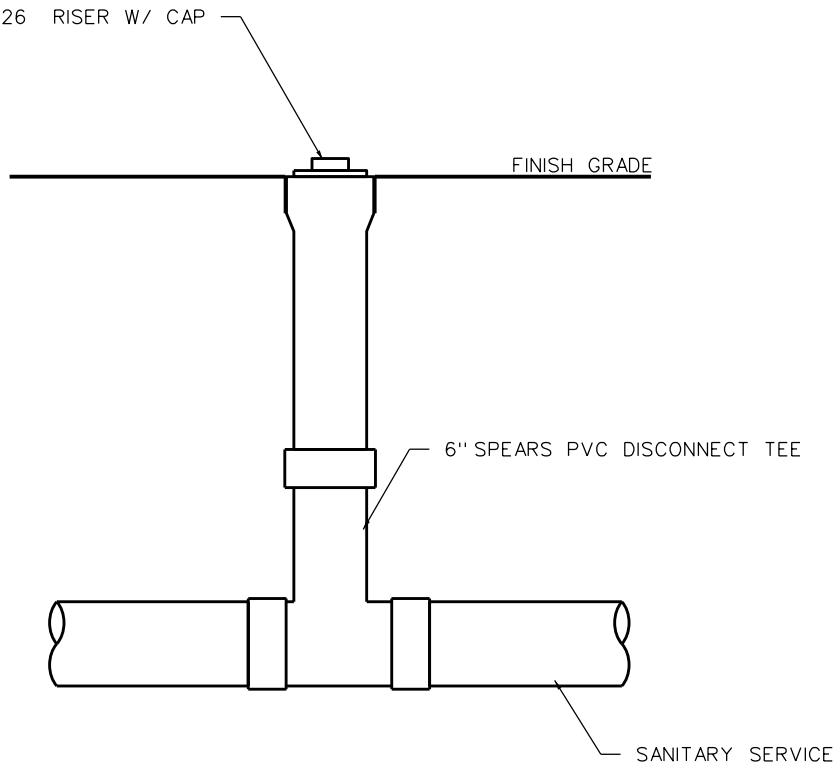
Sanitary Cleanout

6" PVC SDR26 RISER W/ CAP

FINISH GRADE

6" SPEARS PVC DISCONNECT TEE

SANITARY SERVICE



Northern Moraine Wastewater  
Reclamation District

420 Timber Trail Island Lake, Illinois 60042  
847.526.3300 Fax: 847.526.3349



In-Line Disconnect  
Tee And Riser



## Valves Product Sewer Disconnect

Spears® Sewer Disconnect functions as both cleanout and disconnect device, plus helps prevent sewage backup during hurricanes and floods. Complete unit consists of body and plunger (sold separately - both parts are required for proper use). The plunger can be screwed into the body to block solids waste flow. The plunger should be removed from the body and stored when not in use to prevent accidental closing (i.e., from ground vibration, etc.).

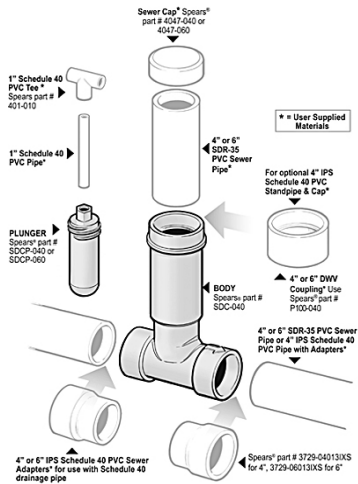


- Connects directly to 4" or 6" SDR-35 (or any ASTM D3034/D2729) PVC Sewer Pipe.
- Easily adapted to 4" or 6" Schedule 40 PVC Drainage Pipe with addition of IPS x Sewer Adapters, Socket x Spigot, Spears® part no. 3729-04013IXS for 4" or 3729-06013IXS for 6".
- User-supplied standpipe can be installed to grade using PVC Sewer Pipe connected to the body branch socket and a Sewer Cap to close off (Spears® part no. 4047-040 for 4" or 4047-060 for 6"). Optionally, user-supplied Schedule 40 Pipe can be used for standpipe with addition of a Schedule 40 DWV Socket Coupling (Spears® part no. P100-040 for 4" or P100-060 for 6") and Cap (Spears® part no. P116-040 for 4" or P116-060 for 6").
- T-handle for Plunger operation can be easily fabricated from user-supplied 1" Schedule 40 Pipe and Tee fitting (Spears® part no. 401-010).

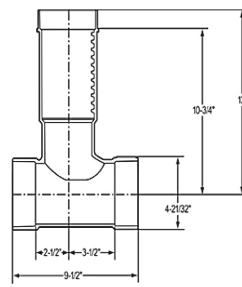


Note - the unit restricts flow by approximately 85%. As a result, the unit must be located in the sewer line where solids are present. Full disconnect is not achieved without solids in the flow.

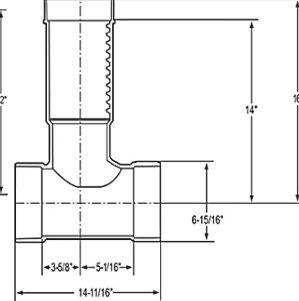
### Auxiliary Components (Purchased Separately)



### 4" Basic Dimensions



### 6" Basic Dimensions



### Sewer Disconnect

#### Sewer Disconnect Body

Part Number	Size	Std Pk	Mstr Ctn	Prod Code
SDC-040	4	6	0	055
SDC-060	6	2	0	055

#### Sewer Socket X Sewer Socket.

Requires Purchase of SDCP-040 or SDCP-060 Plunger

SDC-040	4	6	0	055
SDC-060	6	2	0	055

#### Sewer Disconnect Plunger

Part Number	Size	Std Pk	Mstr Ctn	Prod Code
SDCP-040	4	12	0	055

#### For Use With Sewer Disconnect Body Purchased Separately.

Requires Purchase of SDC-040 or SDC-060 Body

SDCP-040	4	12	0	055
----------	---	----	---	-----

#### Sewer Disconnect Plunger (continued)

Part Number	Size	Std Pk	Mstr Ctn	Prod Code
SDCP-060	6	6	0	055

#### For Use With Sewer Disconnect Body Purchased Separately.

SDCP-060	6	6	0	055
----------	---	---	---	-----

#### Optional IPS x SEWER Adapter

IPS Socket x Sewer Spigot for adapting Sewer Disconnect Body to Schedule 40 drainage pipe



3729-04013IXS	4	1	90	399
3729-06013IXS	6	1	15	399